

Dieter's Nixie Tube Data Archive

This file is a part of Dieter's Nixie- and display tubes data archive

If you have more datasheets, articles, books, pictures or other information about Nixie tubes or other display devices please let me know.

Thank you!

Document in this file	Unknown book – B-5971 Nixie tube circuit
Display devices in this document	B-5971

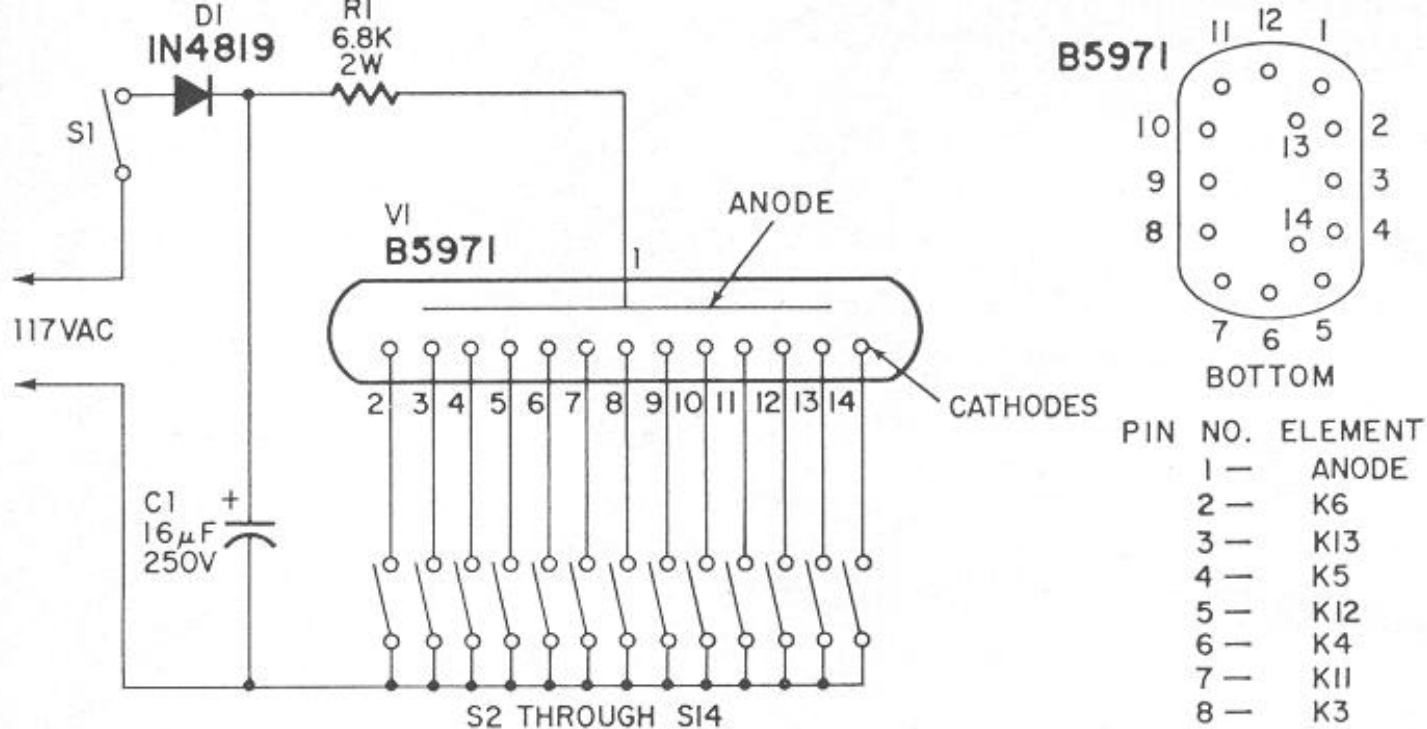
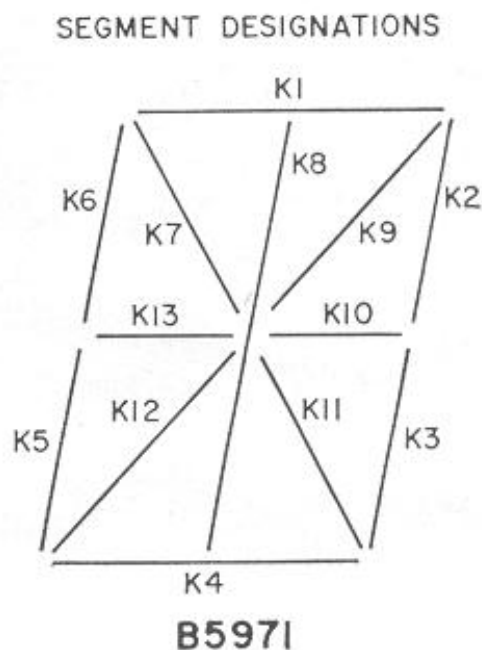


Fig. 1—Simple half-wave power supply turns on each cathode through 13 spst switches. About 160 volts dc is on the anode.



Fig. 2—Above are the cathode segments that are used to display both numbers and alphabet letters.

Fig. 3—Diagram of the Nixie cathodes that correspond to front-panel switch numbers used by author.



PARTS LIST

C1—16µF, 250 V electrolytic capacitor
 D1—1N4819 diode rectifier
 R1—6800 ohms, 2 watts, carbon resistor
 S1—S141—spst switches
 V1—B5971 Nixie tube
 Misc: Socket for tube; case; line cord & plug;
 terminal strips

and the necessity of using costly driver circuits. This circuit is simple to build, requires a minimum of parts, is fun to use, and the display is unusual and fascinating.

R-E