

# Dieter's Nixie Tube Data Archive

This file is a part of Dieter's Nixie- and display tubes data archive

If you have more datasheets, articles, books, pictures or other information about Nixie tubes or other display devices please let me know.

Thank you!

Document in this file	ETL datasheet: GR10J tube
Display devices in this document	GR10J

TENTATIVE DATA SHEET

\*DIGITRON - Long Life 10 Digit Side-Viewing  
Cold-Cathode Numerical Register Tube

GR10J

---

**Limit Ratings**

Maximum cathode current 4 mA  
Minimum voltage necessary to ensure breakdown 150 V

**Characteristics**

Nominal running voltage 145 V  
A cathode left floating will assume some potential between that of the anode and the glowing cathode.

**Recommended Operating Conditions**

Under the recommended d.c. operating conditions with the characters switched sequentially every 24 hours, an average life of 10,000 hours can be expected.

D.C. operation

Anode supply voltage  $R_a = 33k\Omega$  250 V

A.C. operation

(Unsmoothed half-wave rectifier 50 c.p.s. a.c.)

Anode supply voltage -  $R_a = 39k\Omega$  200-220V r. m. s.

$R_a = 47k\Omega$  220-250V r. m. s.

**Filters**

For many applications the use of a light filter may be advantageous. 'Circular polarized' filters (Type HNCP, supplied by Polarizers (U.K.) Ltd., 28, Stamford Street, London, S.E. 1) eliminate reflected light and improve contrast. Coloured filters of glass, Perspex or Gelatine can also be used to advantage, amber or red tinted filters making Long Life Digitrons appear identical with other Digitrons.

\*Registered Trade Mark



TENTATIVE DATA SHEET

GR10J

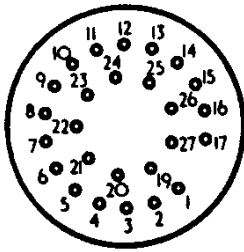
DIGITRON - Long Life 10 Digit Side-Viewing  
Cold-Cathode Numerical Register Tube

Mechanical Data

Mounting position  
Base  
Socket

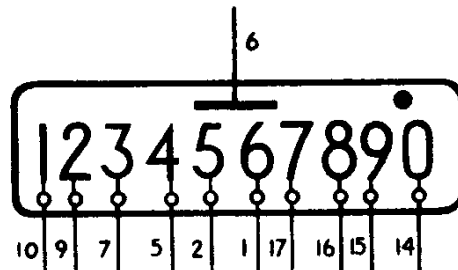
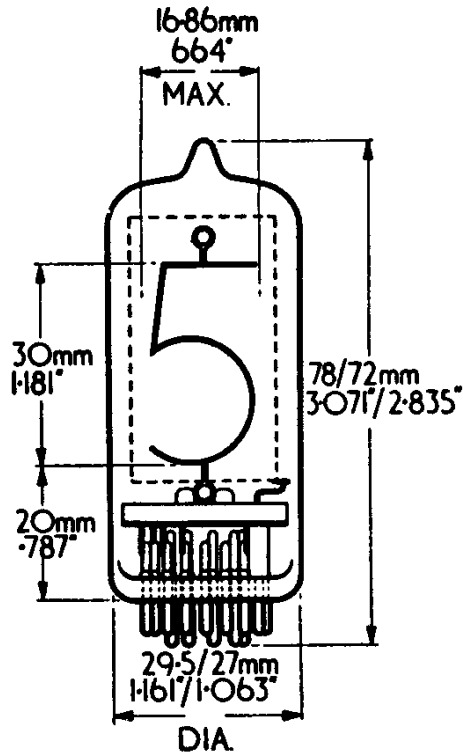
Any  
B26A  
B17A, B26A or B27A

Base Connections  
(underside view)



FRONT

- Pin 1 Cathode 6
- 2 Cathode 5
- 5 Cathode 4
- 6 Anode
- 7 Cathode 3
- 9 Cathode 2
- 10 Cathode 1
- 14 Cathode 0
- 15 Cathode 9
- 16 Cathode 8
- 17 Cathode 7



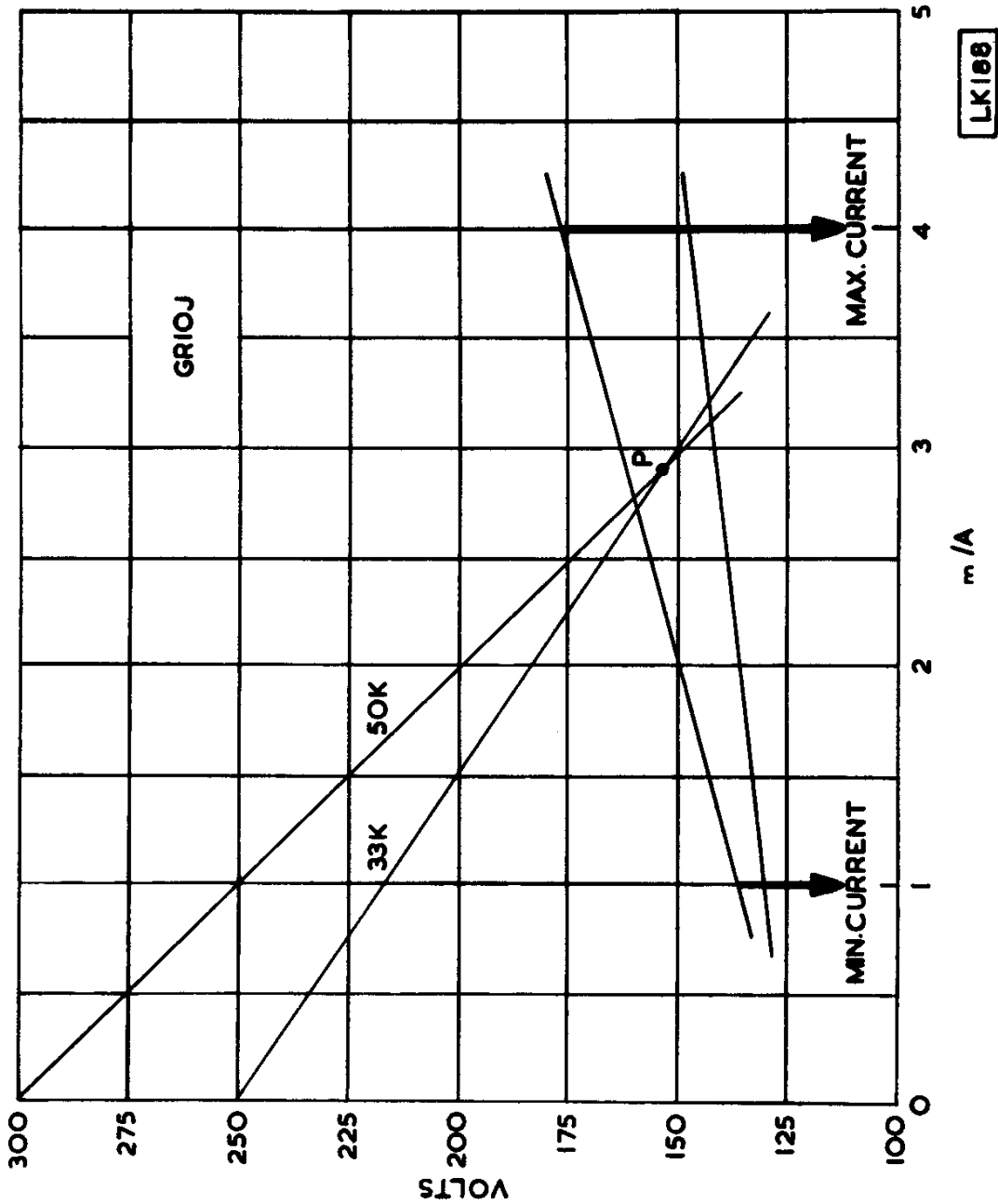
Note: All other pins are to be left unconnected.



TENTATIVE DATA SHEET

\*DIGITRON - Long Life 10 Digit Side-Viewing  
Cold-Cathode Numerical Register Tube

GR10J



Operating Characteristics

\* Registered Trade Mark

