

Dieter's Nixie Tube Data Archive

This file is a part of Dieter's Nixie- and display tubes data archive

If you have more datasheets, articles, books, pictures or other information about Nixie tubes or other display devices please let me know.

Thank you!

Document in this file	ETL datasheet: GR2G tube
Display devices in this document	GR2G

*DIGITRON-2 Character Side-Viewing Cold-Cathode + and — Register Tube

GR 2G

Limit Ratings

Maximum cathode current (+ sign)	5 mA
Maximum cathode current (— sign)	3 mA
Minimum voltage necessary to ensure breakdown	180 V

Characteristics

Nominal running voltage	168 V
A cathode left floating will assume some potential between that of the anode and the glowing cathode.	

Recommended Operating Conditions

Under the recommended D.C. operating conditions with the characters switched sequentially every 24 hours, an average life of 4,000 hours can be expected.

Anode supply voltage	250 V
Cathode + series resistor	15k Ω
Cathode — series resistor	27k Ω

* Registered Trade Mark



GR2G

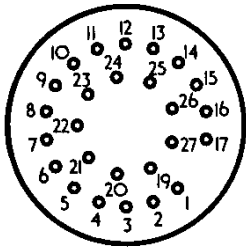
DIGITRON-2 Character Side-Viewing Cold-Cathode + and - Register Tube

Mechanical Data

Mounting position
Base
Socket

Any
B26A
B17A, B26A or B27A

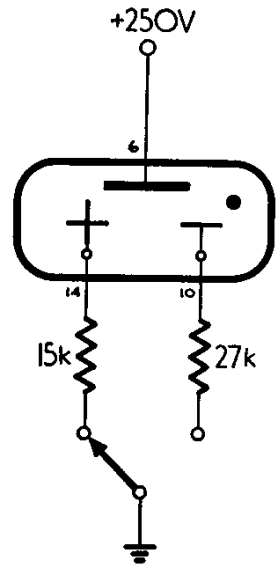
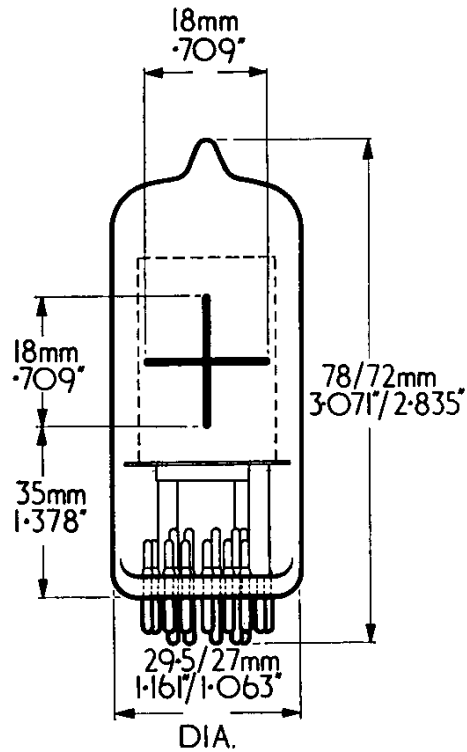
Base Connections
(underside view)



FRONT

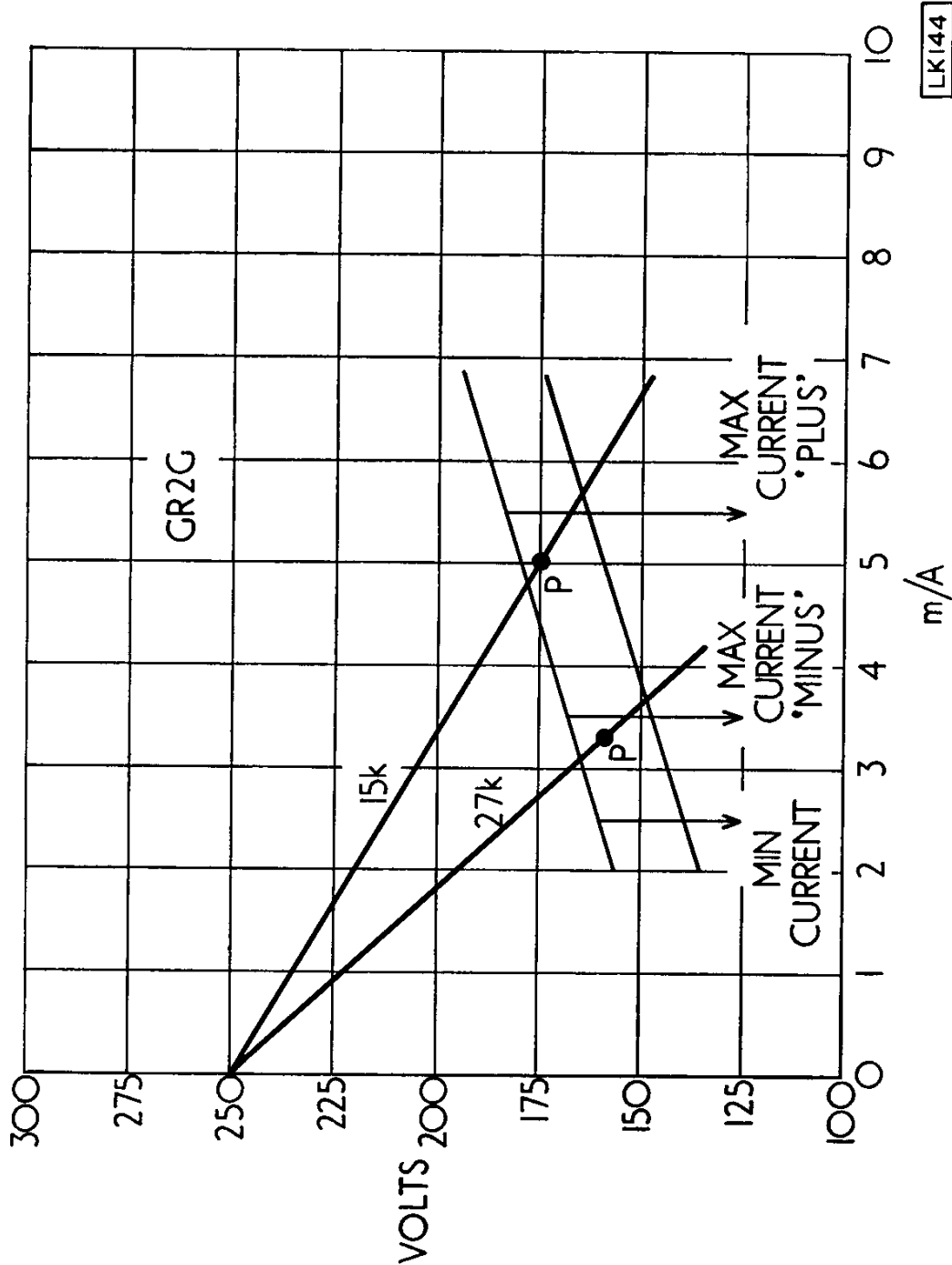
Pin 6 Anode
Pin 10 -
Pin 14 +

Note—All other pins are to be left unconnected.



***DIGITRON-2 Character Side-Viewing Cold-Cathode + and - Register Tube**

GR2G



Operating Characteristics

*Registered Trade Mark

