

# Dieter's Nixie Tube Data Archive

This file is a part of Dieter's Nixie- and display tubes data archive

If you have more datasheets, articles, books, pictures or other information about Nixie tubes or other display devices please let me know.

Thank you!

Document in this file	ETL datasheet: GR4G tube
Display devices in this document	GR4G

# \*DIGITRON-4 Character Side Viewing Cold-Cathode Fraction Register Tube

# GR4G

## Limit Ratings

Maximum cathode current—1	5 mA
Maximum cathode current— $\frac{1}{4}$ , $\frac{1}{2}$ , $\frac{3}{4}$	7 mA
Minimum voltage necessary to ensure breakdown	200 V

## Characteristics

Nominal running voltage $I_a = 5$ mA	170 V
A cathode left floating will assume some potential between that of the anode and the glowing cathode.	

## Recommended Operating Conditions

Under the recommended D.C. operating conditions with the characters switched sequentially every 24 hours, an average life of 3,500 hours can be expected.

D.C. operation

Anode supply voltage — $R_a = 12k\Omega$	250 V
------------------------------------------	-------

A.C. operation

(Unsmoothed half-wave rectified 50 c.p.s. A.C.)

Anode supply voltage — $R_a = 12k\Omega$	200-220 V r.m.s.
$R_a = 18k\Omega$	220-250 V r.m.s.

Cathode 1 equalizing resistor	10k $\Omega$
-------------------------------	--------------

\* Registered Trade Mark



# GR4G

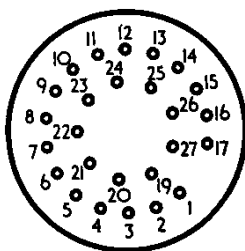
## DIGITRON-4 Character Side Viewing Cold-Cathode Fraction Register Tube

### Mechanical Data

Mounting position  
Base  
Socket

Any  
B26A  
B17, B26A or B27A

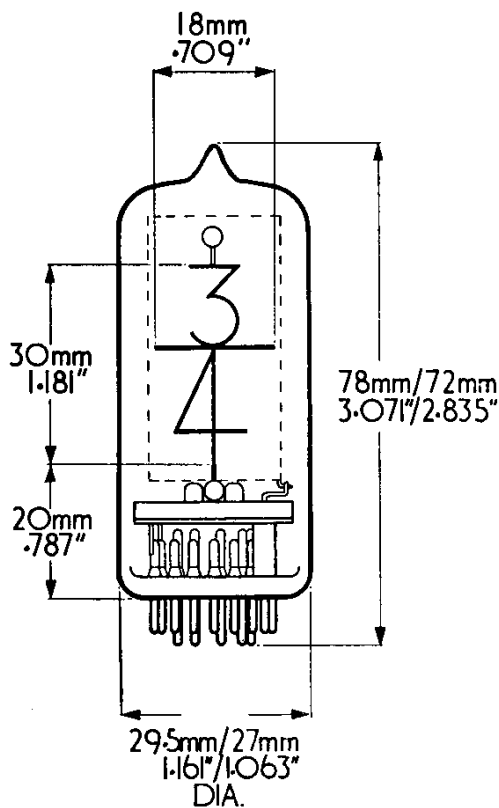
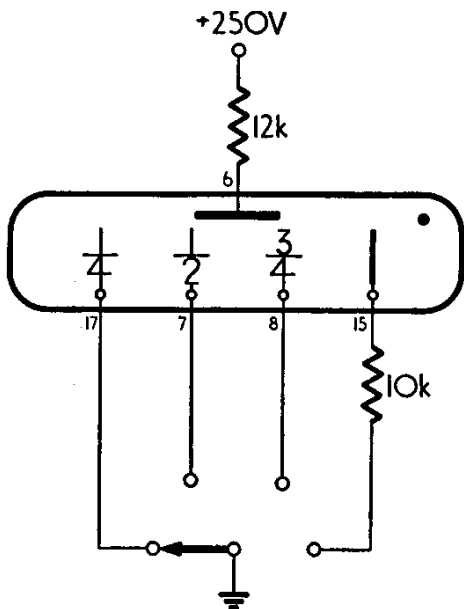
Base Connections  
(underside view)



Pin	6	Anode
	7	$\frac{1}{2}$
	8	$\frac{3}{4}$
	15	1
	17	$\frac{1}{4}$

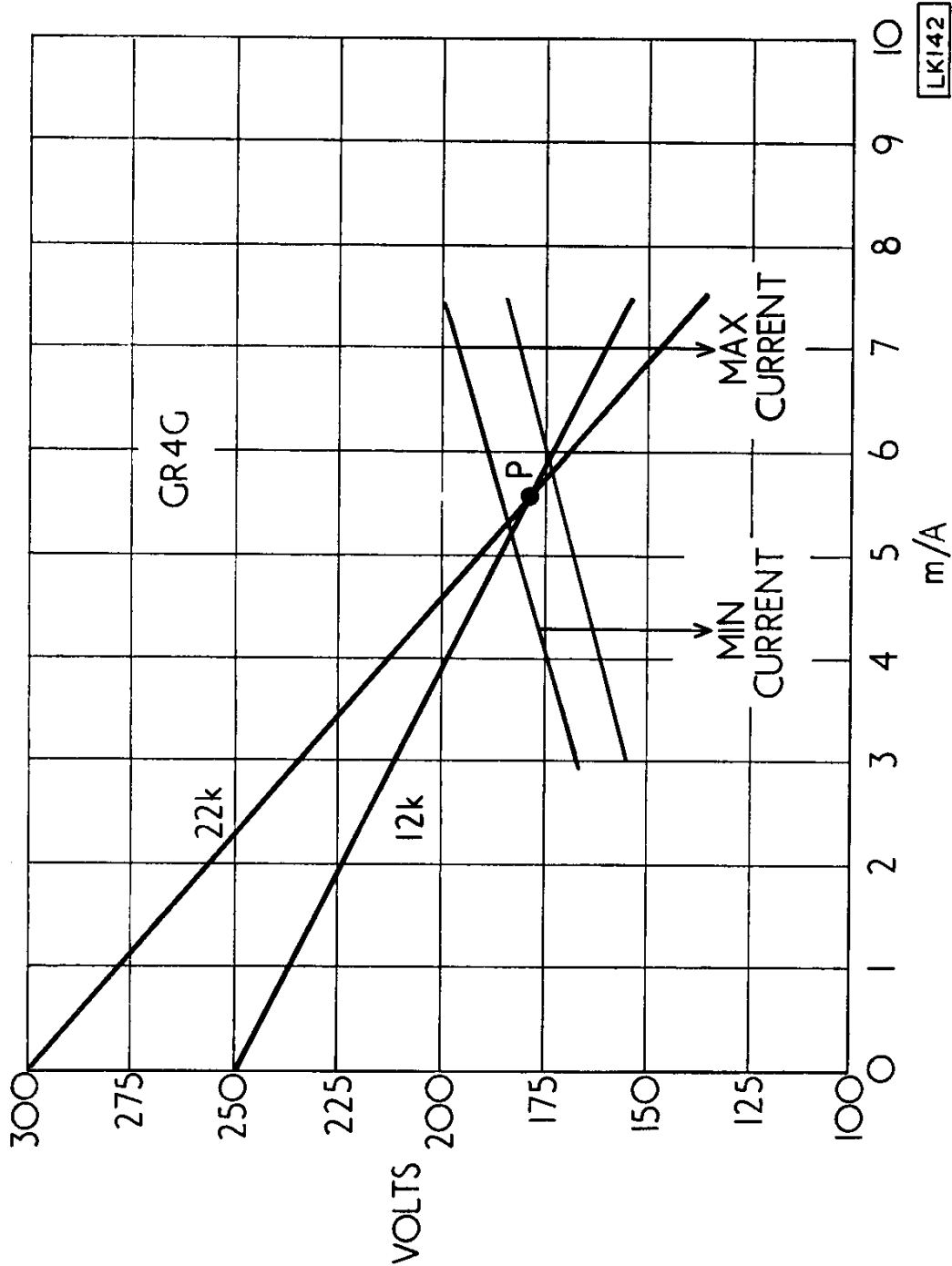
All other pins to be left unconnected.

↑  
FRONT



# \*DIGITRON-4 Character Side-Viewing Cold-Cathode Fraction Register Tube

# GR4G



LK142

Operating Characteristics

\*Registered Trade Mark

