

Dieter's Nixie Tube Data Archive

This file is a part of Dieter's Nixie- and display tubes data archive

If you have more datasheets, articles, books, pictures or other information about Nixie tubes or other display devices please let me know.

Thank you!

Document in this file	ETL datasheet: GR7M tube
Display devices in this document	GR7M

***DIGITRON—Long Life 7 Character End-Viewing GR 7 M**
Cold Cathode Register Tube Containing
 Characters +, -, V, A, Ω , %, and ~

Characteristics & Recommended Operating Conditions
 (at room temperature unless otherwise stated)

Minimum anode to cathode voltage to ensure breakdown	160V
Nominal running voltage at 2mA	140V
D.C. Operation -	
Recommended Cathode Current	2mA
Min. Positive bias on non-conducting cathodes (See Note 1)	60V
Half-wave A.C. Supply -	
Recommended Cathode Current, average	1.5mA
peak	7mA
Min. Positive bias on non-conducting cathodes (See Note 1)	40V
Life Expectancy (2mA Cathode Current)	
Continuous ionisation of one Cathode	>5,000 hours
Sequentially Switching Cathodes every 100 hours or less	>30,000 hours

Absolute Maximum Ratings

Cathode current (each character) -	
Maximum average (averaging time = 20mS)	2.5mA
Maximum peak	10mA
Minimum for D.C. operation	1.0mA
Bulb temperature -	
Maximum	+ 70°C
Minimum	-50°C

Notes: -

- (1) Under limit conditions some deterioration of the glow appearance may occur during life. To minimise this, the voltage between the conducting and non-conducting cathodes should be as high as possible.

* Registered Trade Mark



GR 7 M *DIGITRON—Long Life 7 Character End-Viewing Cold-Cathode Register Tube Containing Characters +, -, V, A, Ω, %, and ~

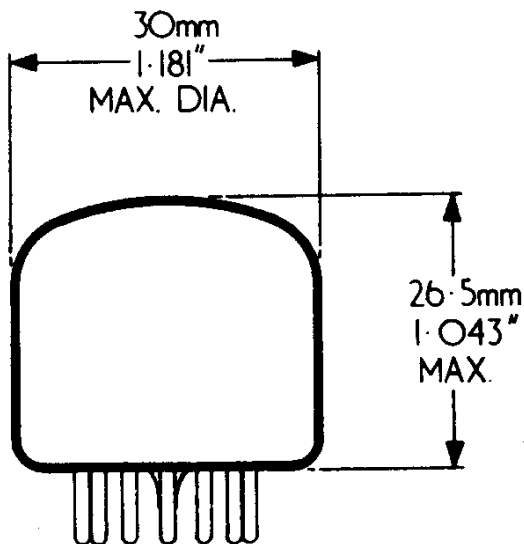
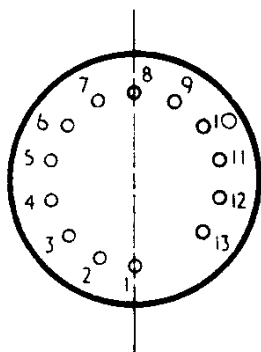
Mechanical Data

Mounting position
Base
Socket

Any
B13B
B13B

Base Connections
(underside view)

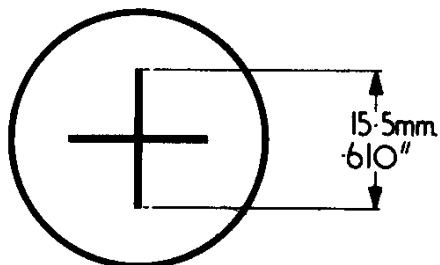
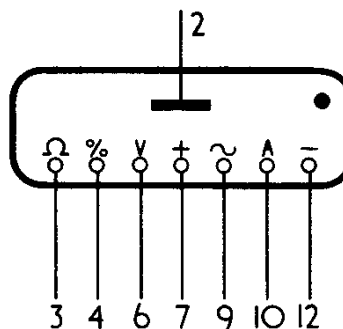
CENTRE LINE OF CHARACTERS



The dome of the tube
is filter coated

- Pin 2 Anode
- 3 Cathode Ω
- 4 Cathode %
- 6 Cathode V
- 7 Cathode +
- 9 Cathode ~
- 10 Cathode A
- 12 Cathode -

Note - All other pins are
to be left unconnected.



* Registered Trade Mark

