

Dieter's Nixie Tube Data Archive

This file is a part of Dieter's Nixie- and display tubes data archive

If you have more datasheets, articles, books, pictures or other information about Nixie tubes or other display devices please let me know.

Thank you!

Document in this file	Reflector (Sovtek) - IN-4 (ИИ-4) A collection of different self made datasheets
Display devices in this document	IN-4 (ИИ-4)

NH-4

Mass 30g

The pins of the electrodes

in the tube with 2 plates:

- 1-figure 4
- 2-figure 6
- 3-figure 8
- 4-screen
- 5-figure 9
- 6-figure 7
- 7-is not connected
- 8-figure 0
- 9-figure 2
- 10-second plate
- 11-figure 3
- 12-figure 5
- 13-first plate
- 14-figure 1

in the tube with 1 plate :

- 1-figure 4
- 2-figure 6
- 3-figure 8
- 4- is not connected
- 5-figure 9
- 6-figure 7
- 7-is not connected
- 8-figure 0
- 9-figure 2
- 10- is not connected
- 11-figure 3
- 12-figure 5
- 13- plate
- 14-figure 1

Technical specifications:

Brightness $\geq 100 \text{Kd/m}^2$

Power supply voltage $\geq 200 \text{V}$

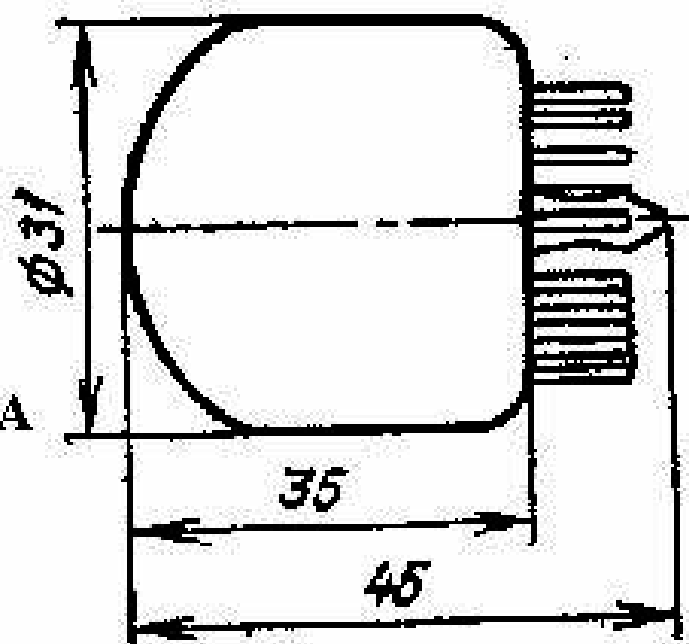
Lighting voltage $\leq 170 \text{V}$

Operating voltage $\leq 160 \text{V}$

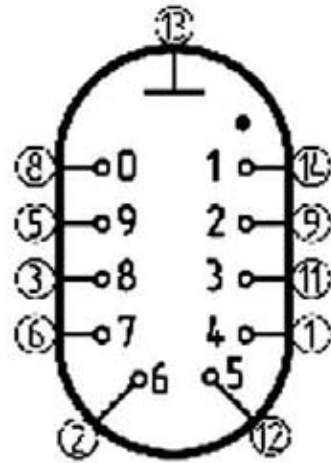
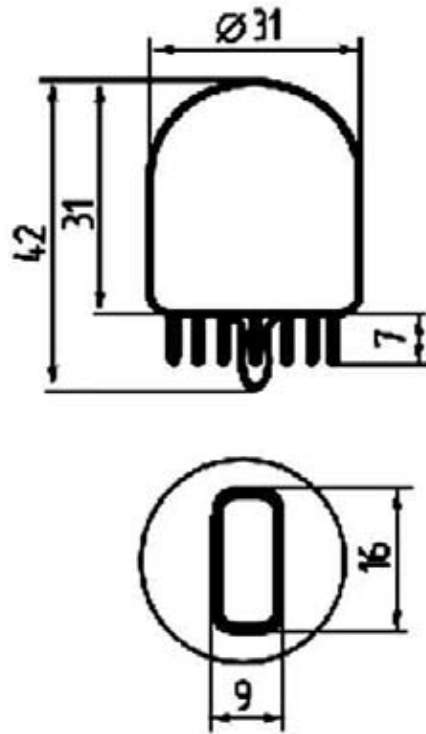
The voltage of indication $\leq 2.5 \text{mA}$

The operation voltage 2.5-3mA

Capacity of work $\geq 1000 \text{hours}$



IN-4



Digital prezenaiaon	0...9
Firing potential of anode-catode path, U	≤ 170 V
Upkeep voltage of anode-cathode path, U	150-200 V
Indication Current	$\leq 2,5$ mA
Marking Current	2,5...3 mA