

Dieter's Nixie Tube Data Archive

This file is a part of Dieter's Nixie- and display tubes data archive

If you have more datasheets, articles, books, pictures or other information about Nixie tubes or other display devices please let me know.

Thank you!

Document in this file	General Electric – Y-1938 – original datasheet
Display devices in this document	Y-1938



**ELECTRONIC
INNOVATIONS
IN ACTION**

DISPLAY DEVICES

— PRODUCT INFORMATION —

Y-1938

**Low Voltage
Indicator Tube**

TENTATIVE SPECIFICATION SHEET

The Y-1938 is a low voltage seven bar segment vacuum cathodoluminescent readout tube which provides bright, sharp display of alphanumeric symbols at low drive and power levels. Symbols are displayed in type Y-1938 by excitation of phosphor-screened segments, which are energized by electrons emitted by a directly heated common cathode.

LOW POWER - Typical operation for high brightness is 25 volts for anode and 1.5 Vac or Vdc at 42 mA for the cathode.

FAST SPEED - Operates in the very high speed range through the use of low persistence phosphor.

BRIGHTNESS - Displays a highly visible blue-green color approximately 200 foot-lamberts.

WIDE ANGLE VIEWING - Single plane character formation with no parallax problems and up to 150° viewing range.

RELIABILITY - Long life construction that uses a single plane and thick film technology combined with the low total power requirements of less than 200 milliwatts.

CHARACTER SIMPLIFICATION - Only one type to display digits (0-9), letters - A, C, E, F, G, H, I, J, L, O, P, S, U, Y.

COMPACT SIZE - Standard miniature T6½ bulb, two inches maximum height for minimum space requirements.

TYPICAL SPECIFICATIONS

ELECTRICAL

Filament Voltage	1.5	Vac or Vdc
Filament Current	42	mA
Filament Heating Power	72	mW
Anode Excitation Voltage (Max.)	55	Vdc
Anode Excitation Voltage (Typical)	25	Vdc
Anode Current/Segment at 25 Volts	550	µa
Maximum Total Anode Power Dissipation at 25 Volts	100	mW

OPTICAL

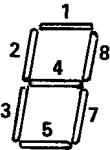
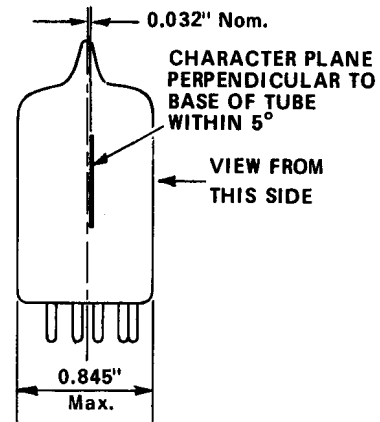
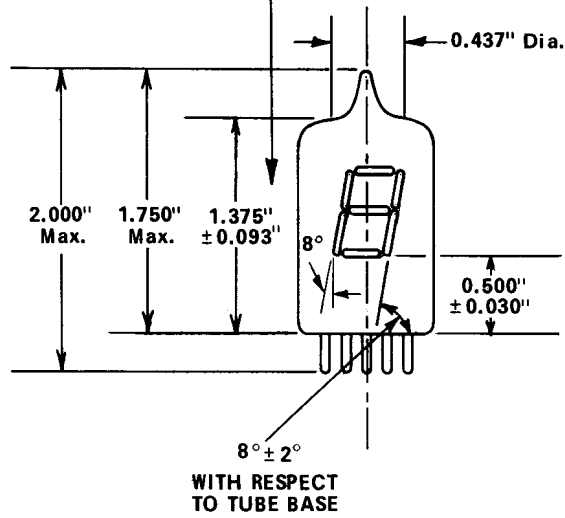
Light Output (at 25 Vdc Anode Voltage)	200	F-L
Character Dimension		
Height	0.570	Inch
Width	0.360	Inch
Character Color	Blue Green	
Phosphor	P15	
Viewing Angle	Single-Plane	
Character Orientation	Parallel to Plane through Pins 3 & 7	

The devices and arrangements disclosed herein may be covered by patents of General Electric Company or others. Neither the disclosure of any information herein nor the sale of devices by General Electric Company conveys any license under patent claims covering combinations of these devices with other devices or elements. In the

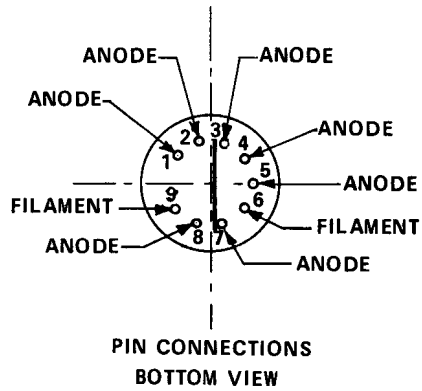
absence of an express written agreement to the contrary, General Electric Company assumes no liability for patent infringement arising out of any use of these devices with other devices or elements by any purchaser or others.

MECHANICAL SPECIFICATIONS

MEASURED AT 0.437" DIA.
AS DETERMINED
BY RING GAGE



PIN CONNECTIONS AND ANODE CONFIGURATION
FRONT VIEW



CHARACTER SIZE:
0.570" X 0.360"
SLANTED 8°

TUBE PRODUCTS DEPARTMENT

GENERAL  ELECTRIC

Owensboro, Kentucky 42301