

# Dieter's Nixie Tube Data Archive

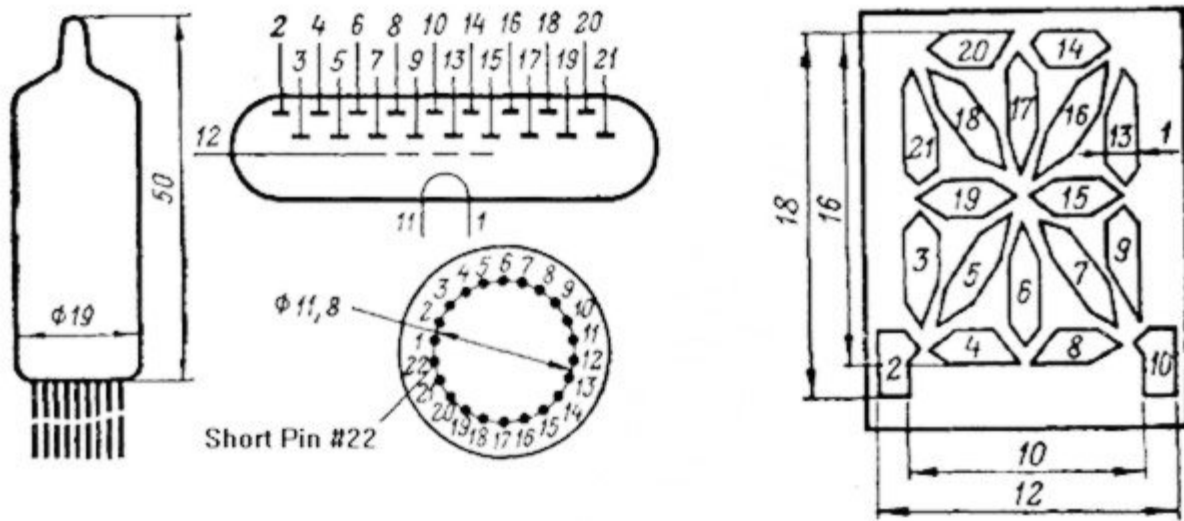
This file is a part of Dieter's Nixie- and display tubes data archive

If you have more datasheets, articles, books, pictures or other information about Nixie tubes or other display devices please let me know.

Thank you!

Document in this file	Reflector (Sovtek) - IV-17 (ИБ-17) data collection
Display devices in this document	IV-17 (ИБ-17)

## IV-17 Data



\* All dimensions shown are in (mm).

### IV-17 Data Translations taken from different datasheets:

Tube dimensions:	45 mm × 18mm (1.8" × 0.72")
Digit dimensions:	18mm × 10mm (0.72" × 0.4")
Brightness:	300 kd/m <sup>2</sup>
Filament voltage nominal:	2.4 V
Filament current nominal:	47 mA
Anode segment voltage minimal:	25 V
Anode segment voltage nominal:	25 V
Anode segment voltage maximal:	30 V
Anode segment current:	2.5 mA
Anode segment pulse voltage:	50 V – 70 V
Grid voltage minimal:	25 V
Grid voltage nominal:	25 V
Grid voltage maximal:	30 V
Grid current:	3 mA – 6 mA
Grid puls voltage:	50 V – 70 V