

Dieter's Nixie Tube Data Archive

This file is a part of Dieter's Nixie- and display tubes data archive

If you have more datasheets, articles, books, pictures or other information about Nixie tubes or other display devices please let me know.

Thank you!

Document in this file	Philips datasheet – ZM1028
Display devices in this document	ZM1024, ZM1028

INDICATOR TUBE

Cold cathode sign indicator tube.

The use of a separate blue absorbing, e.g. circular polarized, amber filter is recommended.

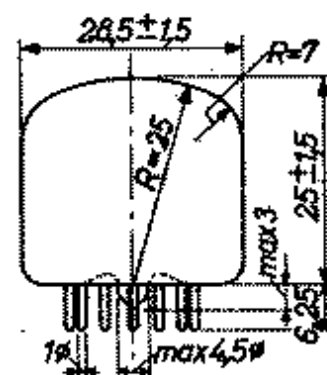
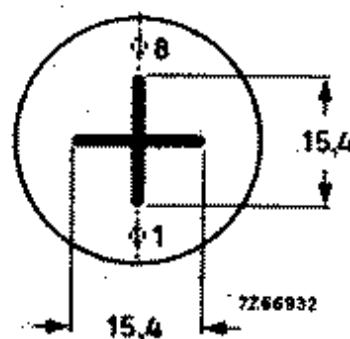
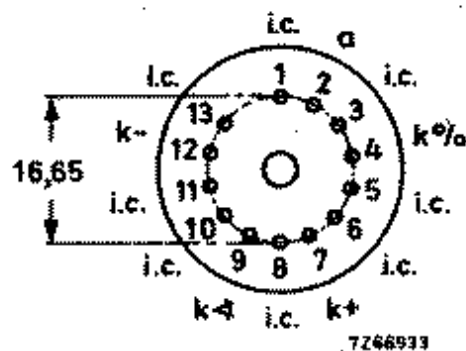
QUICK REFERENCE DATA

Sign height	15	mm
Signs	4 % + -	
Supply voltage	min. 170	V
Anode current	2	mA

DIMENSIONS AND CONNECTIONS

Dimensions in mm

Base: B13B



CHARACTERISTICS, OPERATING CONDITIONS, AND LIMITING VALUES

These are essentially the same as for type ZM1020.