

# Dieter's Nixie Tube Data Archive

This file is a part of Dieter's Nixie- and display tubes data archive

If you have more datasheets, articles, books, pictures or other information about Nixie tubes or other display devices please let me know.

Thank you!

Document in this file	Philips datasheet – ZM1325
Display devices in this document	ZM1325

## INDICATOR TUBE

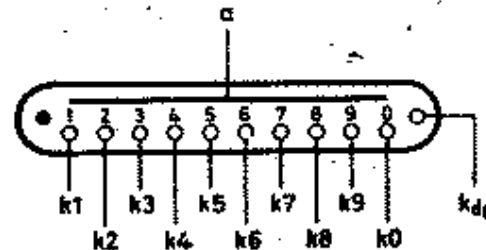
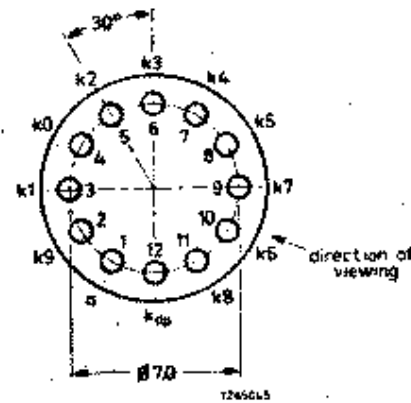
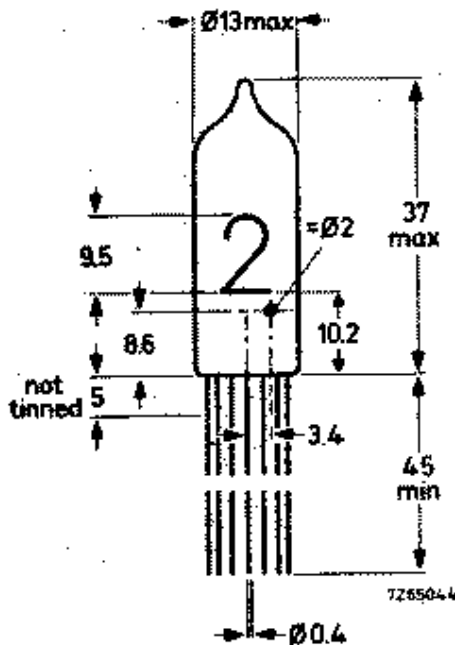
Long-life cold cathode ten-digit indicator tube for side viewing.

## QUICK REFERENCE DATA

Numeral height	approx. 9,5 mm	
Numerals	1 2 3 4 5 6 7 8 9 0	
Decimal point	to the right of the numerals	
Supply voltage	$V_{ba}(\text{pulse})$	max. 170 V
Cathode current, peak	$I_{kp}$	max. 11 mA
average	$I_k$	max. 1,1 mA

## DIMENSIONS AND CONNECTIONS

Dimensions in mm



Mounting position: any

Soldering

The leads may be dip-soldered at a solder temperature of max. 240 °C for maximum 10 s up to a point 5 mm from the seals.